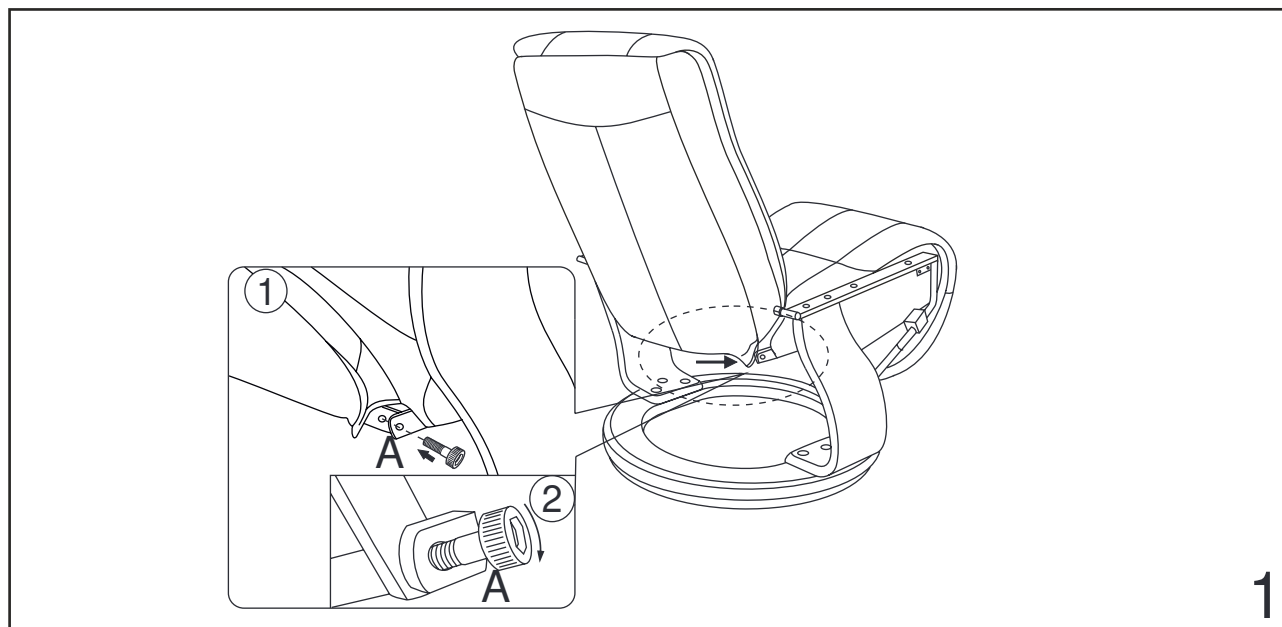
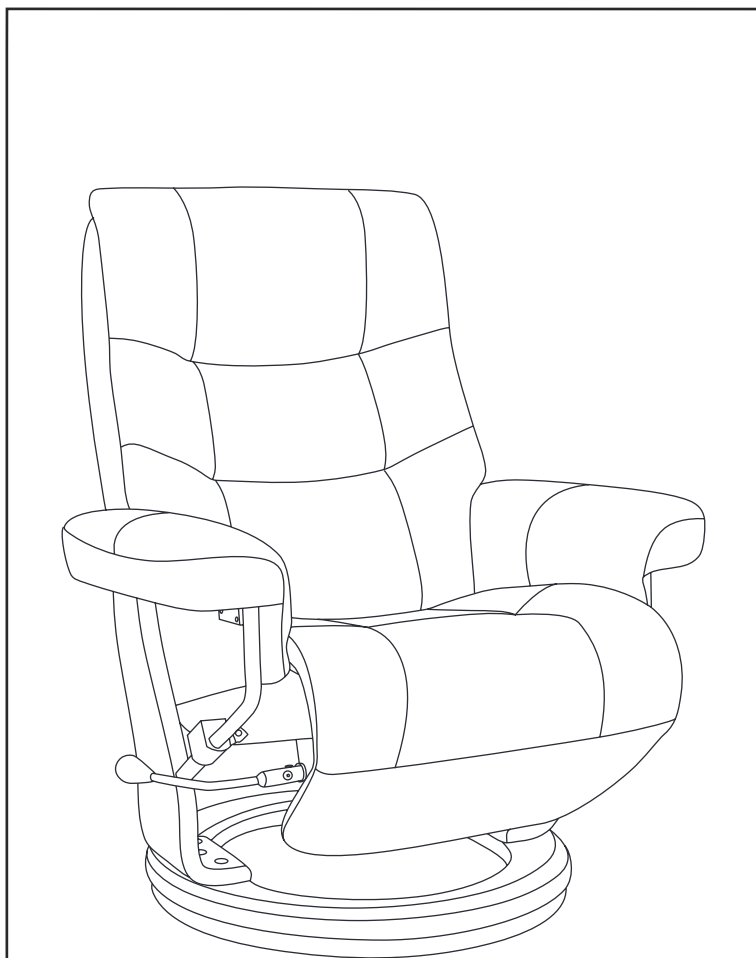
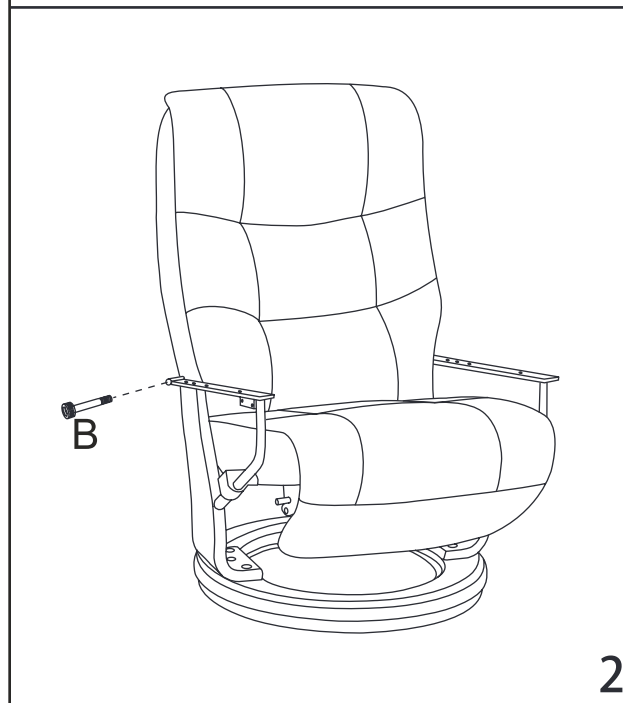


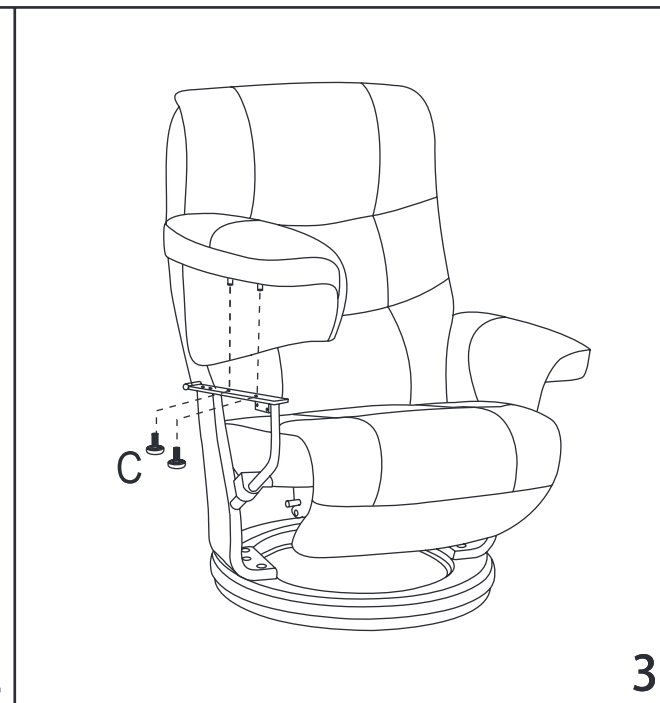
7583 WQ



1



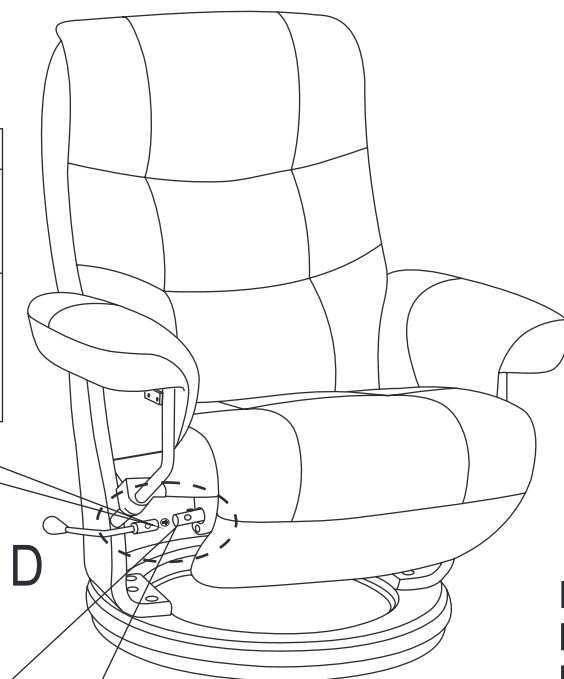
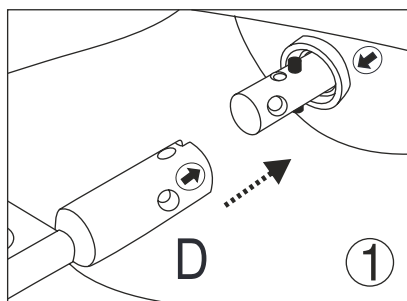
2



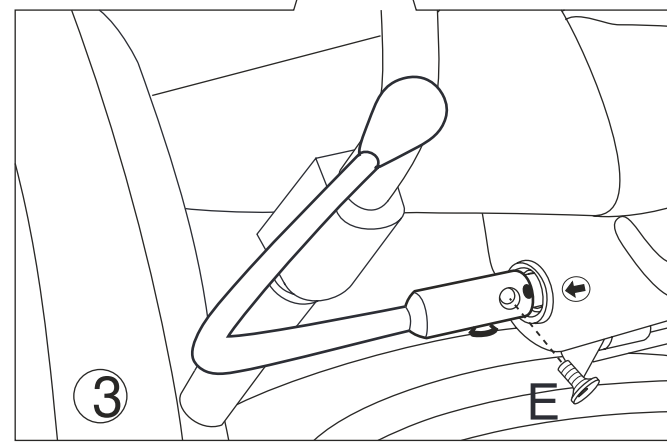
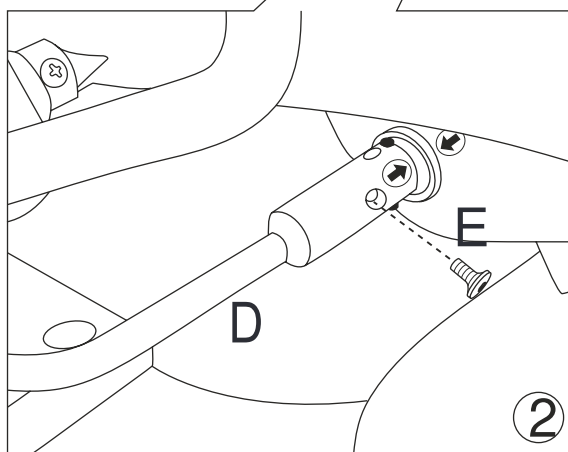
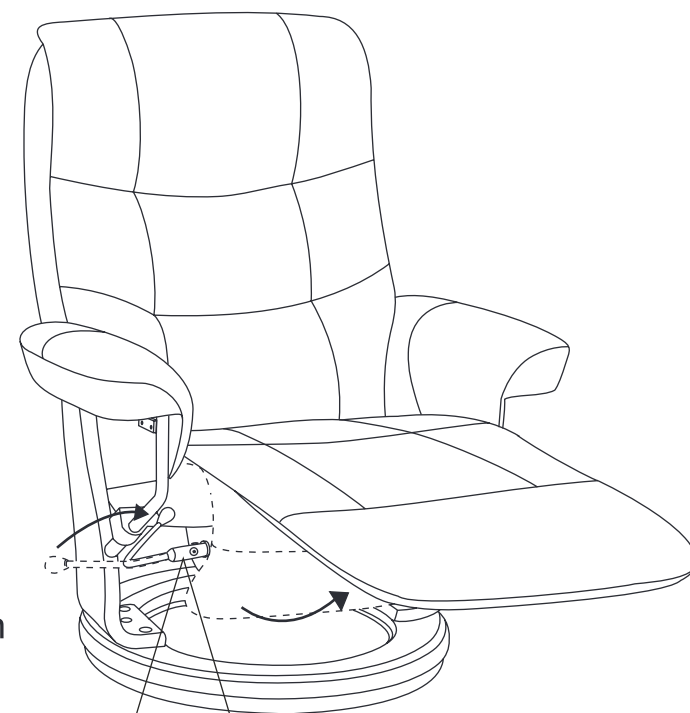
3

DURING ASSEMBLY CHECK AND TIGHTEN ALL BOLTS

A		2PCS	D		1PC
B		2PCS	E		2PCS
C		4PCS	F		1SET

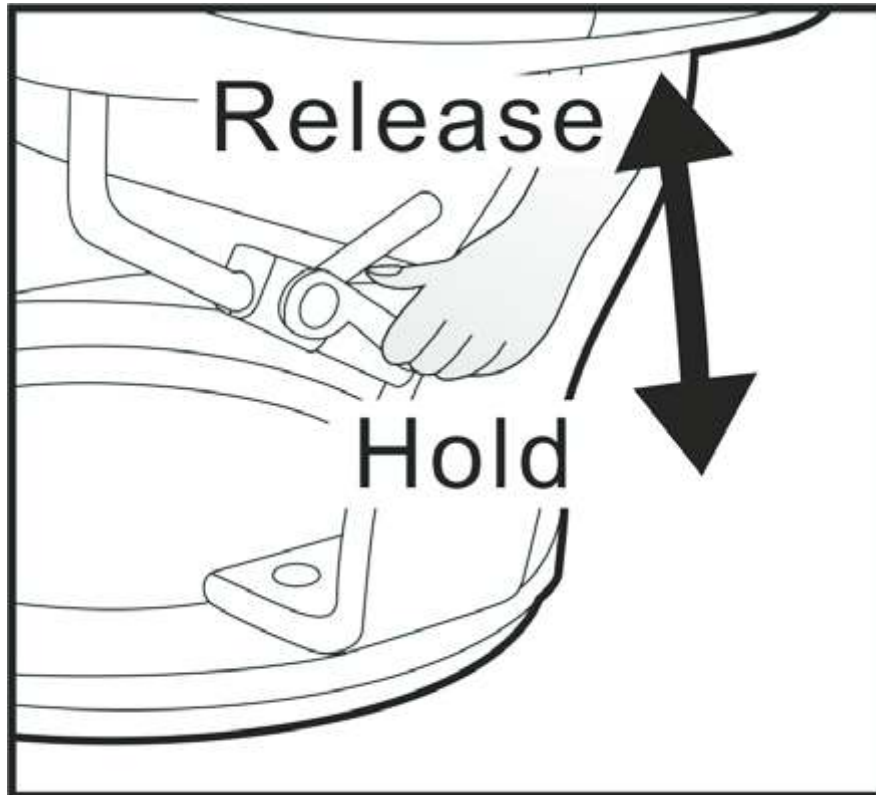


Be sure to push the handle to this position before you assemble the second bolt



Recliner Position Control

Hold and Release:



Caution:

Avoid placing hand between lever and frame.

