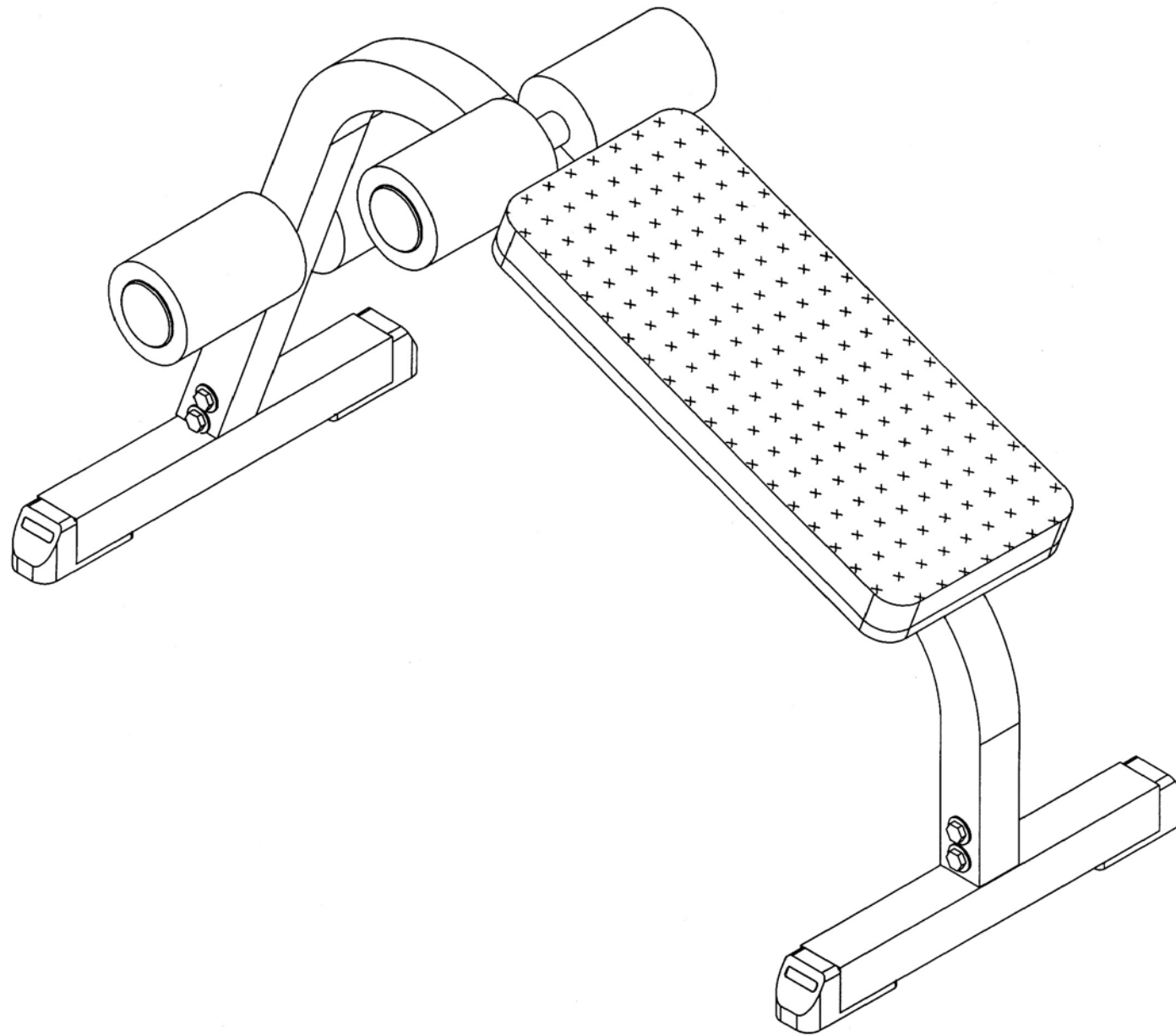


AB-39.1



VERSION 0508

AB-39.1

HARDWARE ILLUSTRATION SHEET

| | Qty. |
|---|--------|
| A1. M10X16 HEX HEAD BOLT ----- | [8PCS] |
| A2. 5/16"X2 3/4" HEX HEAD BOLT ----- | [2PCS] |
| C1. M10 (I.D) WASHER ----- | [8PCS] |
| C2. 5/16" (I.D) WASHER ----- | [2PCS] |
| C3. 5/16" SPRING WASHER ----- | [2PCS] |
| D1. 2"X2" FOOT CAP (9211-024) ----- | [4PCS] |
| D2. ϕ 1" ROUND END CAP (9211-022) ----- | [4PCS] |
| D3. ϕ 4"X6" FOAM ROLLER (9161-008) ----- | [4PCS] |

A1 A2 C1 C2 C3

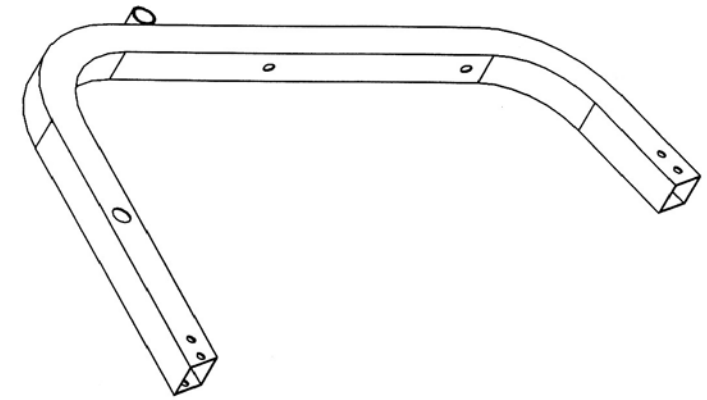


D1 D2 D3

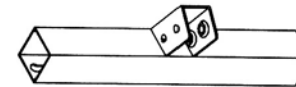


PARTS ILLUSTRATION SHEET

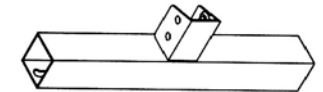
A [1PCS]



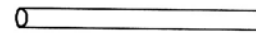
B [1PCS]



C [1PCS]



D [2PCS]



E [1PCS]

